

## INSTRUCTIONS FOR



## WHAT'S IN THE BOX

Your Screen Cube™ Includes: Screen Cube, Accessory Bag, and Stakes

## SET UP

**NOTE:** To prolong the life of the Screen Cube floor, select a leveled site clear of rocks, branches, and other hard or sharp objects.

1. Set up your E-Z UP® Shelter in the intended area to be sheltered, leaving your Shelter legs retracted.
2. Slightly lift up the fabric valance corners on the corner of the shelter. Repeat on remaining corners.
3. Remove the Screen Cube from the carry bag and center the Screen Cube under your shelter.
4. Spread out the Screen Cube, floor side down and position the doorway at your desired entrance.

**NOTE:** Step 5 will be different dependent on shelter\*

5. Attach the **Ceiling Truss Clips** (see Product Key) to the shelter.

### Open Truss Shelters

- 1) Locate the **Center Ceiling Truss Clips** (with long orange webbing). (Fig. A)  
Attach **Center Ceiling Truss Clips** to peak of the shelter, adjacent to each other.
- 2) Attach the additional four **Ceiling Truss Clips** to the roof truss system.

### Cross Truss Shelters

- 1) Locate the center **Center Ceiling Truss Clips** (with short orange webbing). (Fig. A2)  
Attach **Center Ceiling Truss Clips** to peak of the shelter, adjacent to each other.

\*Illustrations of truss systems may vary slightly dependent on shelter.

6. Locate the **Corner Truss Clips** (which include elastic cords). Attach the **Corner Truss Clips** to the outer truss on adjacent sides. (Fig. B)  
**Caution:** Attach carefully as the **Corner Truss Clips** include elastic cords that may snap back and hit you.
7. Attach the **Side Truss Clips** located on each of the four sides of the Screen Cube to your Shelter's truss system. (Fig. C)
8. Pull the fabric top corner down over the frame leg. Repeat on remaining corners.
9. Raise your shelter to its full height.
10. Connect the **S Hooks** into the provided hole on the lower part of each leg. (Fig. D)
11. Wrap the **Hook and Loop Straps** around the legs of the shelter. (Fig. E)
12. Locate the **Fabric Attachment Tabs** located at the bottom of each wall of the Screen Cube. Insert a spike through the Fabric Attachment Tab grommet. Drive the spike firmly into the ground. (Fig. F)

## TAKE DOWN

1. Repeat steps in reverse of assembly.

## CARE & MAINTENANCE

- Use a mild soap (not detergent) and plenty of water for cleaning. Let the E-Z UP® Screen Cube™ dry completely before closing or storing to avoid mildew.
- Store in the Carry Bag Provided.

### Important Information:

- Interior O Ring Hanger(s) is not to exceed 5lb. hanging weight.
- E-Z UP® Instant Shelter products are designed as a temporary shelter.
- Do not leave up for extended periods.
- Do not use your Screen Cube in a lightning storm.
- Do not leave your Screen Cube product unattended.
- Do not build fires within your Screen Cube enclosure

Warranty Information: [www.ezup.com/warranties](http://www.ezup.com/warranties)

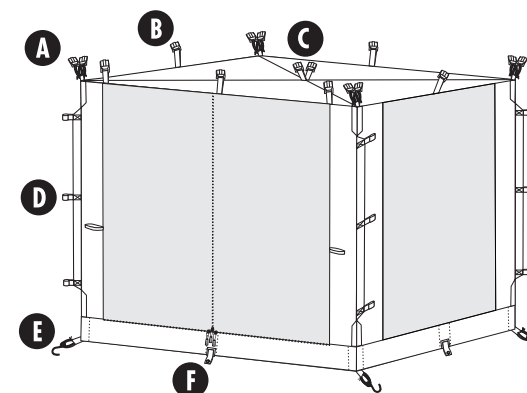
Visit [ezup.com](http://ezup.com) for  
Screen Cube™ accessories

### WARNING!

Always weigh down your E-Z UP® shelter. Do not leave your E-Z UP® shelter unattended. Do not depend on Weight Bags to secure shelter in heavy winds. For your safety, stake your E-Z UP® shelter down in any potentially windy or rainy weather.

## PRODUCT KEY

- A** Corner Truss Clips (with elastic cords)
- B** Side Truss Clips
- C** Center Ceiling Truss Clips
- D** Hook and Loop Straps
- E** S Hooks
- F** Fabric Attachment Tabs
- G** Ceiling Truss Clips (Open Truss frames only)



### OPEN TRUSS ONLY

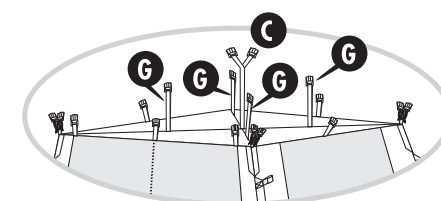


Fig. A Open Truss

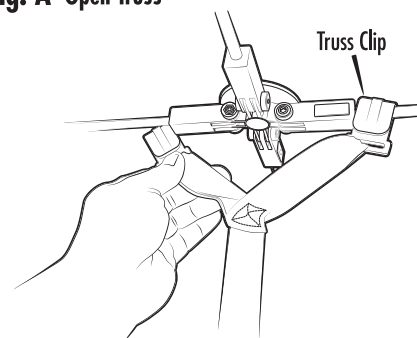


Fig. A2 Cross Truss

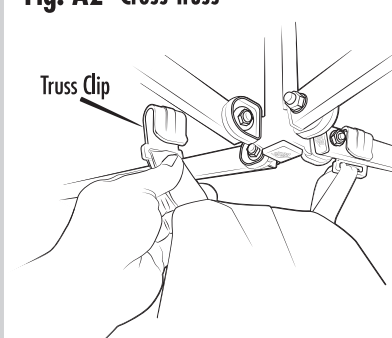


Fig. B

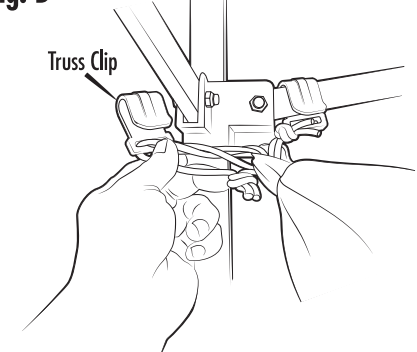


Fig. C

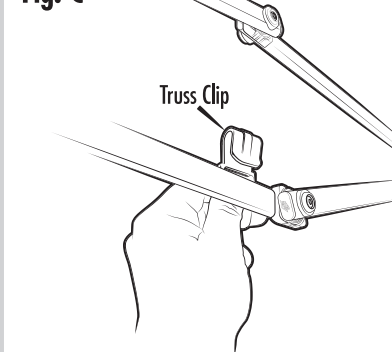


Fig. D

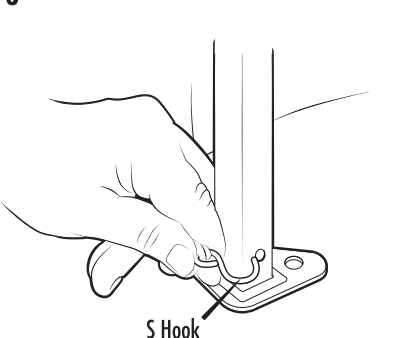


Fig. E

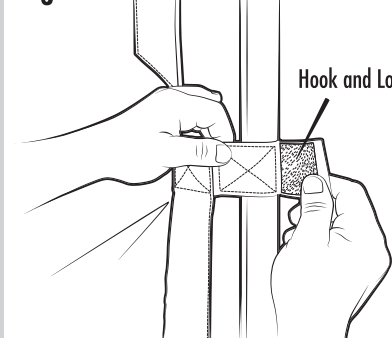
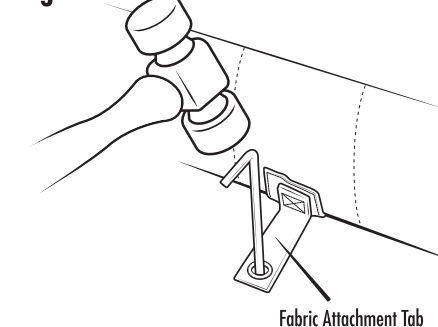


Fig. F



INTERNATIONAL E-Z UP, INC.  
1900 Second St., Norco, California 92860

800-45-SHADE

The #1 Instant Shelter® Brand in the World

[ezup.com](http://ezup.com)