



# INSTRUCTIONS FOR

## WHAT'S IN THE BOX

Your Camping Cube™ Includes: Camping Cube, Accessory Bag, Stakes, and Door Mat

## SET UP

**NOTE:** To prolong the life of the Camping Cube floor, select a leveled site clear of rocks, branches, and other hard or sharp objects.

1. Set up your E-Z UP® Shelter in the area that you intend to camp, leaving your Shelter legs retracted.
2. Slightly lift up the fabric valance corners on the corner of the shelter. Repeat on remaining corners.
3. Remove the Camping Cube from the carry bag and center the Camping Cube under your shelter.
4. Spread out the Camping Cube, floor side down and position the doorway at your desired entrance.

**NOTE:** Step 5 will be different dependent on shelter\*

5. Attach the **Ceiling Truss Clips** (see Product Key) to the shelter.

### Open Truss Shelters

- 1) Locate the **Center Ceiling Truss Clips** (with long orange webbing). (Fig. A)  
Attach **Center Ceiling Truss Clips** to peak of the shelter, adjacent to each other.
- 2) Attach the additional four **Ceiling Truss Clips** to the roof truss system.

### Cross Truss Shelters

- 1) Locate the center **Center Ceiling Truss Clips** (with short orange webbing). (Fig. A2)  
Attach **Center Ceiling Truss Clips** to peak of the shelter, adjacent to each other.

\*Illustrations of truss systems may vary slightly dependent on shelter.

6. Locate the **Corner Truss Clips** (which include elastic cords). Attach the **Corner Truss Clips** to the outer truss on adjacent sides. (Fig. B)  
**Caution:** Attach carefully as the **Corner Truss Clips** include elastic cords that may snap back and hit you.
7. Attach the **Side Truss Clips** located on each of the four sides of the Camping Cube to your Shelter's truss system. (Fig. C)
8. Pull the fabric top corner down over the frame leg. Repeat on remaining corners.
9. Raise your shelter to its full height.
10. Connect the **S Hooks** into the provided hole on the lower part of each leg. (Fig. D)
11. Wrap the **Hook and Loop Straps** around the legs of the shelter. (Fig. E)
12. Locate the **Fabric Attachment Tabs** located at the bottom of each wall of the Camping Cube. Insert a spike through the **Fabric Attachment Tab** grommet. Drive the spike firmly into the ground. (Fig. F)
13. Secure the **Door Mat** to the Camping Cube by attaching each **Door Mat Hook** into the **O Rings** located at the bottom of the door. (Fig. G) Insert a spike through each of the **Door Mat** grommets to secure.

## TAKE DOWN

1. Repeat steps in reverse of assembly.

## CARE & MAINTENANCE

- Use a mild soap (not detergent) and plenty of water for cleaning. Let the E-Z UP® Camping Cube™ dry completely before closing or storing to avoid mildew.
- Store in the Carry Bag Provided.

### Important Information:

- Interior O Ring Hanger(s) is not to exceed 5lb. hanging weight.
- E-Z UP® Instant Shelter products are designed as a temporary shelter.
- Do not leave up for extended periods.
- Do not use your Camping Cube in a lightning storm.
- Do not leave your Camping Cube product unattended.
- Do not build fires within your Camping Cube enclosure

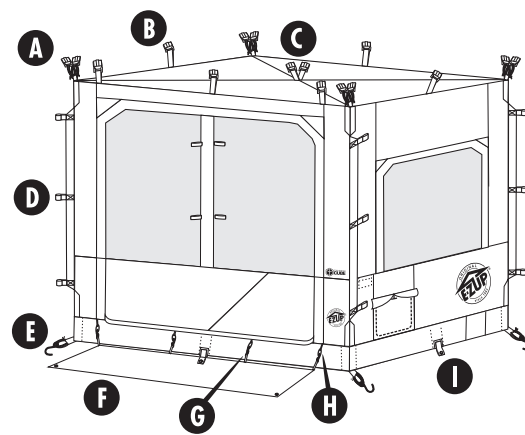
**Warranty Information:** [www.ezup.com/warranties](http://www.ezup.com/warranties)

### WARNING!

Always weigh down your E-Z UP® shelter. Do not leave your E-Z UP® shelter unattended. Do not depend on Weight Bags to secure shelter in heavy winds. For your safety, stake your E-Z UP® shelter down in any potentially windy or rainy weather.

## PRODUCT KEY

- A** Corner Truss Clips (with elastic cords)
- B** Side Truss Clips
- C** Center Ceiling Truss Clips
- D** Hook and Loop Straps
- E** S Hooks
- F** Door Mat
- G** Door Mat Hooks
- H** O Rings
- I** Fabric Attachment Tabs
- J** Ceiling Truss Clips (Open Truss frames only)



### OPEN TRUSS ONLY

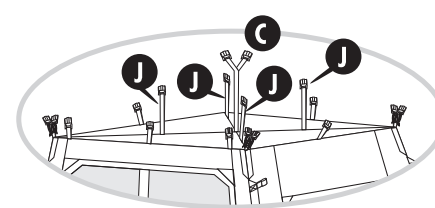


Fig. A Open Truss

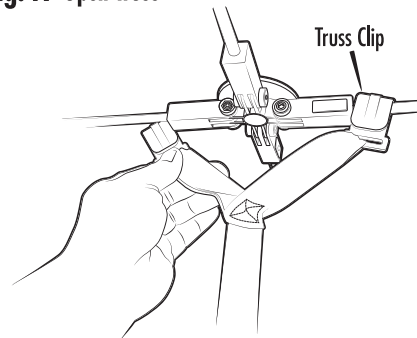


Fig. A2 Cross Truss

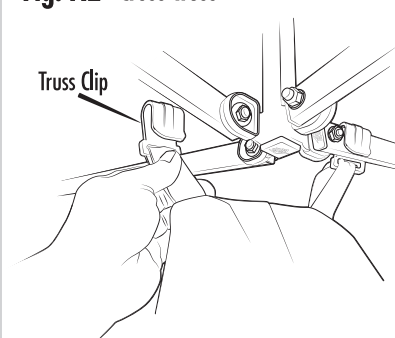


Fig. B

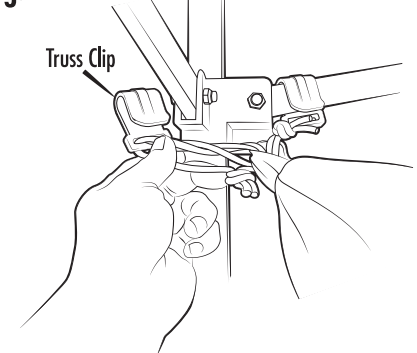


Fig. C

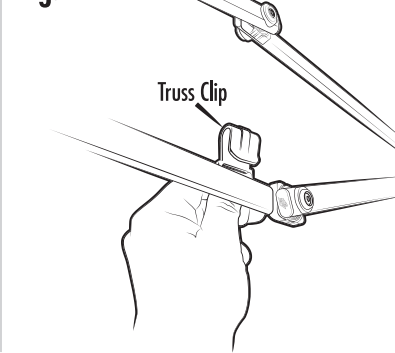


Fig. D

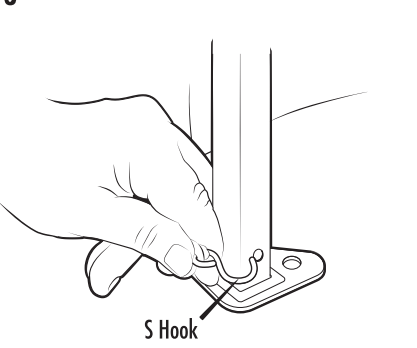


Fig. E

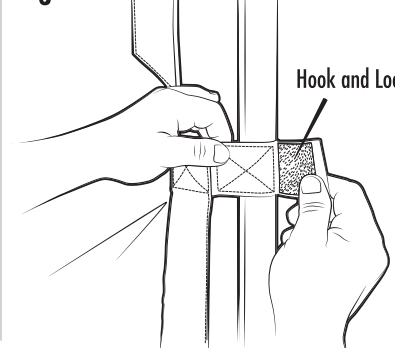


Fig. F

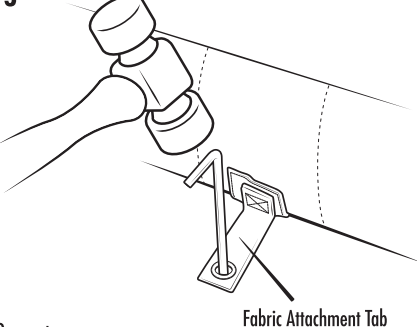
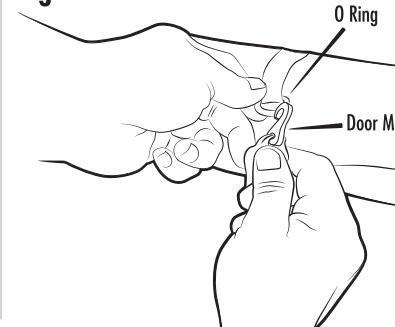


Fig. G



© Copyright 2017 International E-Z UP, Inc. USA. All rights reserved.

**INTERNATIONAL E-Z UP, INC.**  
1900 Second St., Norco, California 92860

**800-45-SHADE**

The #1 Instant Shelter® Brand in the World

**ezup.com**